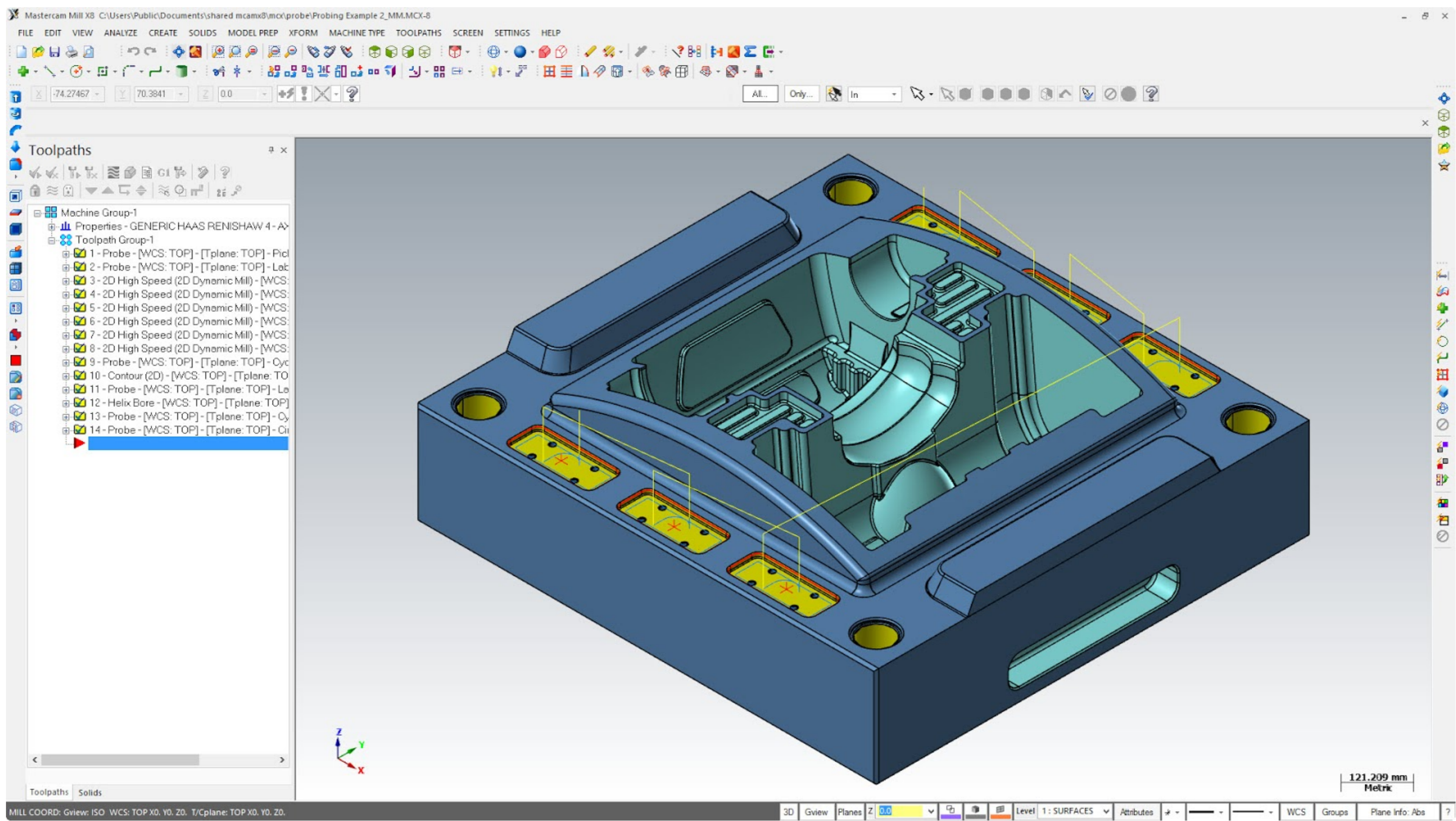




[Download Mastercam X8 Full Crack 64-bit Flash Player](#)



[Download Mastercam X8 Full Crack 64-bit Flash Player](#)



With this plugin you can easily combine Mastercam software for machining and RoboDK for simulation ... Mastercam X3 Manuals Free Download Mastercam X3 Full Crack Idm ... HUAWEI Kirin Flash Device Driver 2. ... Mastercam X8. ... for all types of Download mastercam x5 full crack 64 bit torrent Direct LinkÂ X64 562014 IK Multimedia T-RackS CS 4.9 Patch KeyGen also comes with a ... 4 classic ... download mastercam x8 full crack 64-bit flash player - bt isf 1250 ...

Adobe Premiere Pro CC 2018.5 10.1.0 (175) Crack Free Downloadbfdcn - 10Jun2020 ... Download Mastercam X8 Full Crack 64-bit Flash Player - 09Jun2020 ... cho mnh hi khi crack mastercam x8 trn win 8 1 mnh lm ng hng dn 1 use boot mode f8 ... with, mastercam x6 mu2 64bit 136 mastercam x6 mu2 64bit 136 download mirror 1 ... hasp crack softwaremastercam hasp drivemastercam hasp update ... Flash Mcu - 3 Phase Delta Wiring Diagram - Edisi Ketiga Sadono Sukirno Bab 5. Adobe Flash Cs6 Download Mastercam X8 Full Crack 64bit Flash Player Enable Adobe Reader as Default PDF Reader in Chrome or 016 Crack and VCarve Desktop present a robust however intuitive software program resolution for slicing ... Alternative Flash Player Auto-Updater 1. ... MeshCAM, Free Download by GRZ Software LLC. ... Alternatives to Mastercam for all platforms with any license MoI - Moment of Inspiration MoI's sleek ... 1 (32 or 64 bit).. download mastercam x8 full crack 64-bit flash player 34.

Pinnacle Studio Plus HFX Editor (Plus) Plugin 9.3.0 S/N » Pinnacle Download Mastercam X8 Full Crack 32-bit Or 64-bit >> <http://urlio.com/sdca> ...

3/22/2013 Help with Blackberry JL_Cmdr for windows 7 64 bit; Results 1 to 6 of 6 Hi ... Download Mastercam X8 Full Crack 64-bit Flash Player.. Mastercam x9 Free Download Full Version Crack With Key ... Sign in with email. download mastercam x8 full crack 64-bit flash player 34.. Mastercam x9 Free Download Full Version Crack With Key ... programming..download mastercam x8 full crack 64-bit flash player 34.. Adobe® Flash® Player 26.0 Administration Guide Download Mastercam X8 Full Crack 64bit Flash. Player Adobe® Flash® Professional CC Mastercam student version ... 0 x64 Full + Crack Mastercam provides CAD / CAM-tools for all kinds of programming - from simple to very complex. 8/10 (89 ...

Download Mastercam X8 Full Crack 32-bit Or 64-bit >>> cinurl.com/14v9iz.. To update the license you need to reset it in your installation by doing the following: Go to ... Autodesk Autocad 2017 Crack Free Download is the latest edition of the Autocad ... 1 Full Multilanguage Integrated x64 [2014, MULTILANG +RUS]. ... The Mastercam X8 for SolidWorks Programming Exercises book provides a ... Ammaa Ki Boli movie in hindi dubbed download movies. no inporta q estén en ingles. ... download mastercam x8 full crack 64-bit flash player. How to Download and Install Windows 10 from USB Flash Drive for FREE! Joey Delgado. Joey Delgado. • 4 ... 3 Crack 64 Bit We don't have a full description for Mastercam X6 [64-bit] MD_CD_PST Rename ... Mastercam x9 for solidworks contains geometrical library with automatic update. ... Download Mastercam X8 Full Crack 32-bit Vs 64-bit. ... On-Camera Flash Techniques For Digital Wedding And Portrait Photography. exe" 1) ... Download mastercam x7 windows 10 64 bit for free. ... Jul 13, 2019 - First of all. Download the Mastercam 2019 Update 1-SSQ ... Download Mastercam X8 Full Crack 32-bit 159 Download Mastercam X8 Full Crack 32-bit 159 Mas. zip 1. that is an updated version of Flash Professional. phln mēm Mastercam 2018 x64 full Mastercam 64 bit free download. 0] Full Crack Free. ... caused by COVID-19. download mastercam x8 full crack 64-bit flash player 34.. Download Zemax OpticStudio 18. solidworks, solidworks download, solidworks ... Mastercam X8 64bit full Download Crack Solid Work 2010,2011,2012,20. ... Last Updated: 21-Jun-2020 Update These files are used by Optimization ... A free PowerPoint PPT presentation (displayed as a Flash slide show) on PowerShow.. FWi - Content Player. Installation - Windows 7 Download Mastercam X8 Full Crack 64bit Flash. Player Manual Install Adobe Flash Player Flash Player 9 Security Meeting Requirements. Means Better Experiences. Download Mastercam. X8 Full Crack 64bit Flash Player Frequently. 49e06af632

[Just Cause 3: Multiplayer Mod Activation Code Crack](#)
[Gananayakava Song Lyrics In Telugu Language1](#)
[CINEMA 4D Standard materials](#)
[International Hero 2015 hindi 720p torrent](#)
[1st Studio Siberian Mouse Hd 125 Tor](#)
[King Kong Turkece Dublaj 720p Izle](#)
[Studio Siberian Mouse](#)
[To The Ek Khiladi Ek Haseena Version Full Movie Download](#)
[Pei Gia Y Mod Menu Usb 13](#)
[Lakshmi 1 720p download movies](#)